

TUNG-SOL

CATHODE RAY

COATED UNIPOTENTIAL CATHODE

HEATER

6.3 VOLTS 0.6 AMP.

AC OR DC

ANY MOUNTING POSITION

METAL-CONE ENVELOPE

SMALL SHELL DUODECAL 7 PIN BASE

THE 22AP4A IS A DIRECTLY VIEWED PICTURE TUBE INTENDED FOR USE IN TELEVISION RECEIVERS. FEATURES OF THIS TUBE ARE A LIGHT-WEIGHT METAL-CONE ENVELOPE, A GREY NEUTRAL-DENSITY FACEPLATE FOR INCREASED PICTURE CONTRAST AND DETAIL UNDER HIGH AMBIENT LIGHT CONDITIONS AND AN ELECTRON GUN DESIGNED TO BE USED WITH AN EXTERNAL ION-TRAP MAGNET FOR THE PREVENTION OF ION-SPOT BLEMISH.

DESCRIPTION

FLUORESCENCE AND PHOSPHORESCENCE	WHITE
PERSISTENCE	MEDIUM
DEFLECTING AND FOCUSING METHOD	MAGNETIC
DEFLECTION ANGLE (APPROX.)	70 DEGREES
ION TRAP	MAGNETIC
BULB CONTACT	METAL-CONE LIP
RASTER SIZE	13 1/2" X 18"

DIRECT INTERELECTRODE CAPACITANCES - APPROX.

GRID #1 TO ALL OTHER ELECTRODES	6	μf
CATHODE TO ALL OTHER ELECTRODES	5	μf

RATINGS

INTERPRETED ACCORDING TO RMA STANDARD M8-210

HEATER VOLTAGE	6.3	VOLTS
HEATER CURRENT	0.6	AMP.
MAXIMUM ANODE VOLTAGE (A&G ₃)	19 000	VOLTS
MAXIMUM GRID #2 VOLTAGE	410	VOLTS
MAXIMUM GRID #1 VOLTAGE:		
NEGATIVE BIAS VOLTAGE	125	VOLTS
POSITIVE BIAS VOLTAGE	0	VOLTS
POSITIVE PEAK VOLTAGE	2	VOLTS
PEAK HEATER-CATHODE VOLTAGE:		
HEATER NEGATIVE WITH RESPECT TO CATHODE:		
DURING WARM-UP PERIOD NOT EXCEEDING 15 SECONDS	410	VOLTS
AFTER EQUIPMENT WARM-UP PERIOD	140	VOLTS
HEATER POSITIVE WITH RESPECT TO CATHODE	140	VOLTS
MAXIMUM GRID #1 CIRCUIT RESISTANCE	1.5	MEG OHMS

PRINTED IN U. S. A.

PLATE
2438
JULY 1
1950

CONTINUED ON FOLLOWING PAGE

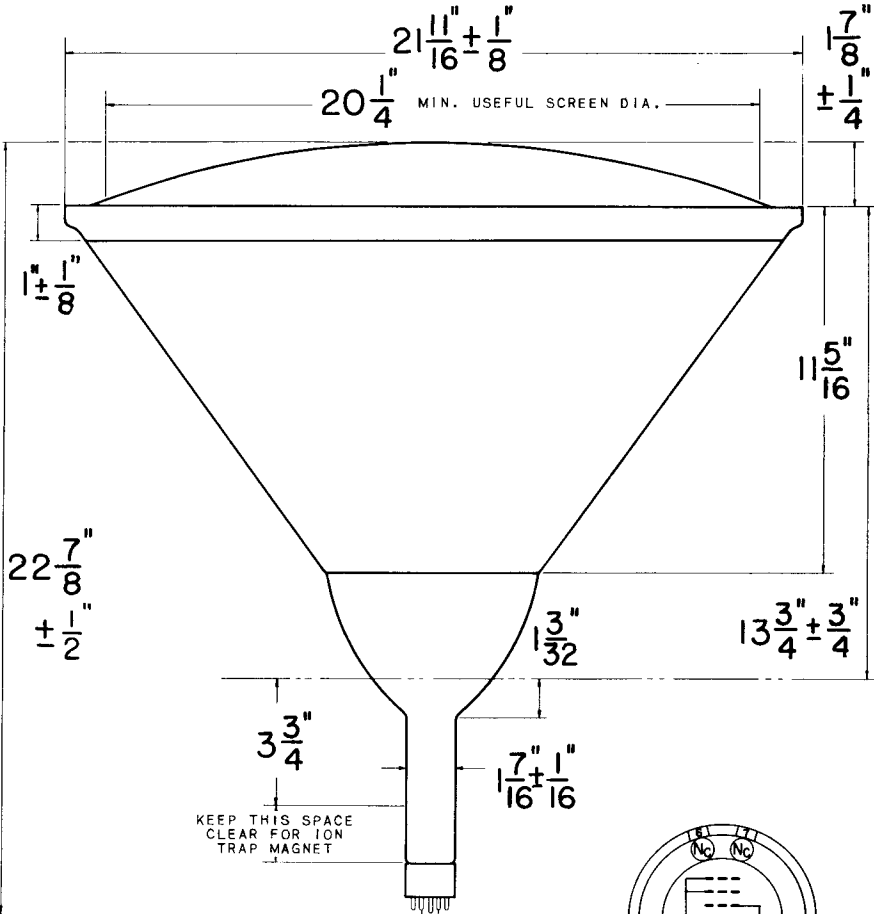
TUNG-SOL

CONTINUED FROM PRECEDING PAGE

TYPICAL OPERATING CONDITIONS AND CHARACTERISTICS

ANODE VOLTAGE	14 000	VOLTS
GRID #2 VOLTAGE	300	VOLTS
GRID #1 VOLTAGE (VISUAL EXTINCTION OF UNDEFLECTED FOCUSED SPOT)	-33 TO -77	VOLTS
FOCUSING COIL CURRENT (APPROX. 1)	117	MA.
ION TRAP MAGNET FIELD INTENSITY (APPROX.) (SINGLE FIELD MAGNET)	35	GAUSSSES

SIMILAR TYPE REFERENCE: The 22AP4A is identical to the 22AP4 except for the grey filter faceplate



- 1. HEATER
- 2. GRID #1
- 10. GRID #2
- 11. CATHODE
- 12. HEATER

METAL CONE LIP: ANODE, GRID #3

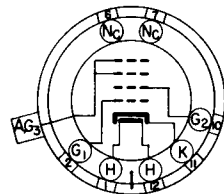


PLATE
2439
JULY 1
1950